

# MTD-4021

21.5" Multi-Touch 16:9 Full HD Projected Capacitive Display, IP65 Waterproof



- 21.5" 16:9 Full HD (1920x1080) LCD Panel with LED Backlight
- Projected Capacitive Multi-touch Screen
- Touchscreen Works with Gloves
- IP65 Front Panel Protection
- Support Landscape and Portrait Modes
- Mounting Methods: Panel / VESA
- Anti-scratch Surface: 7H Hardness
- Sunlight Readable (Optional)

The ultra-compact and slim MTD-4021 is a 21.5" 16:9 Full HD(1920x1080) TFT-LCD display that combine high reliability multi-touch projected capacitive screen specifically designed for industrial applications. This elegant monitor provides precise image and reliable continuous operation. The IP65 front panel and 0°C to 50°C wide temperature helps to protect the display from harsh environments. It also supports VGA and DVI video inputs, Panel and VESA mount allowing system developer to easily incorporate MTD-4021 into a wide range of applications. It is an ideal partner with Industrial HMI Display System, Intelligent Factory Automation, various POS terminal, gaming, medical apparatus, central monitoring, machine vision applications.



## Application Scenario

Unit: mm (inch)



Intelligent  
Factory  
Automation



Gaming



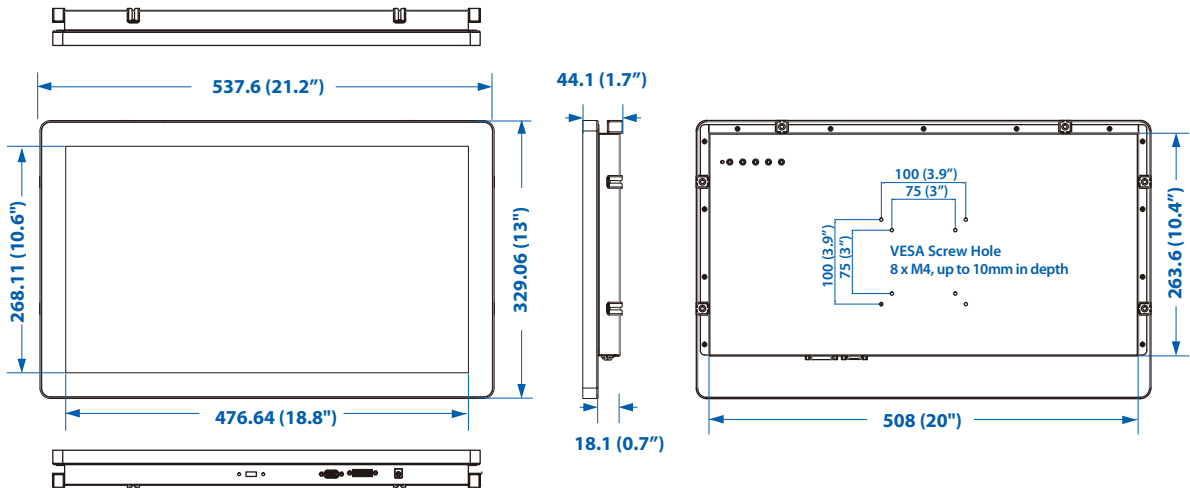
Central  
Monitoring



Machine  
Vision



Medical  
Apparatus



## Specification

### Display Panel

Type	a-Si TFT-LCD
Viewable Size Image	21.5" (16:9)
Resolution	1920 x 1080 (Full HD)
Display Color	16.7 M (RGB 8-bit)
Backlight	LED
Brightness (cd/m <sup>2</sup> )	250 (Optional, up to 1200)
Viewing Angle	89/89/89/89 (L/R/U/D)
Contrast Ratio	3000:1

### Touch Screen

Type	10-point Projected Capacitive
Transparency	≥ 85%
Surface Hardness	7H
Control Interface	USB

### Video

Input Connectors	VGA, DVI-D
Input Signal Format	Analog: D-Sub (VGA); Digital: DVI-D

### OSD

Function	OSD Keypad; Multi-language
----------	----------------------------

### Power

Input	DC Jack; DC-in 12V
Power Adapter	AC to DC 60W Power Adaptor

### Mechanical

Dimensions (WxHxD)	537.6 x 329.06 x 44.1 mm (21.2" x 13" x 1.7")
Gross Weight	6 kg (13.2 lb)
IP Protection	Front Panel IP65 compliant
Mounting	<ul style="list-style-type: none"> <li>VESA mount (75 x 75mm, 100 x 100mm)</li> <li>Panel mount</li> </ul>

### Environment

Operating Temperature	0°C to 50°C (32°F to 122°F)
Storage Temperature	-20°C to 60°C (-4°F to 140°F)
Humidity	5% to 90% @ 40°C, non-condensing
Vibration	<ul style="list-style-type: none"> <li>IEC 60068-2-64</li> <li>Random Wave: 10Hz to 200Hz, 1.5 Grms, Duration: 30 mins each Axis</li> <li>IEC 60068-2-27</li> <li>50G, half-sine, 20ms</li> </ul>
Shock	<ul style="list-style-type: none"> <li>IEC 60068-2-27</li> <li>50G, half-sine, 20ms</li> </ul>
EMC	CE, FCC

### Accessory List

VGA Cable x 1
USB-A Cable (M) x 1

## Order Information

### Part Number

MTD-4021

### Description

21.5" Multi-Touch 16:9 Full HD Projected Capacitive Display, IP65 Waterproof

### Option

PWA-60W  
Panel-Mount  
VESA-Mount  
CAB\_DVI

### Description

60W, 12V 100V AC to 240V AC Power Adapter for DC Jack  
Panel mount Kit  
VESA Table Stand  
DVI Cable (M) 180 cm